

8MP (4K) AI motor zoom IR Eyeball camera LUNA PRO series



GLE-P80120VF 8MP 2.8-12mm motor zoom Eyeball (vare nr. 22470)

Features

- ✓ High quality imaging with (4K) **8MP**, 1/2.8"CMOS **LUNA** sensor
- ✓ **NDAA** Compliant
- ✓ 8MP (3840*2160) @ 20fps; 5MP (3072*1728) @ 30/25fps; 4MP (2560*1440) @ 30/25fps; 2MP (1920*1080) @ 30/25fps
- ✓ Ultra 265, H.265, H.264, MJPEG **ONVIF** (Profile S, Profile G, Profile T, Profile M),
- ✓ Intelligent perimeter protection, include cross line, intrusion, enter area, leave area detection
- ✓ Based on target classification, smart intrusion prevention significantly reduces false alarm caused by leaves, birds and lights etc., accurately focus on human, motor vehicle and non-motor vehicle
- ✓ LUNA technology ensures ultra-high image quality in low illumination environment
- ✓ 120dB true WDR technology enables clear image in strong light scene
- ✓ Motor zoom 2.8 – 12mm
- ✓ 20 simultaneous streams (multi stream)
- ✓ Built-in Mic
- ✓ Smart IR, up to 40m (131ft) IR distance
- ✓ Supports 256 Gb Micro SD card
- ✓ IK10 vandal resistant
- ✓ IP67 protection



Specifications

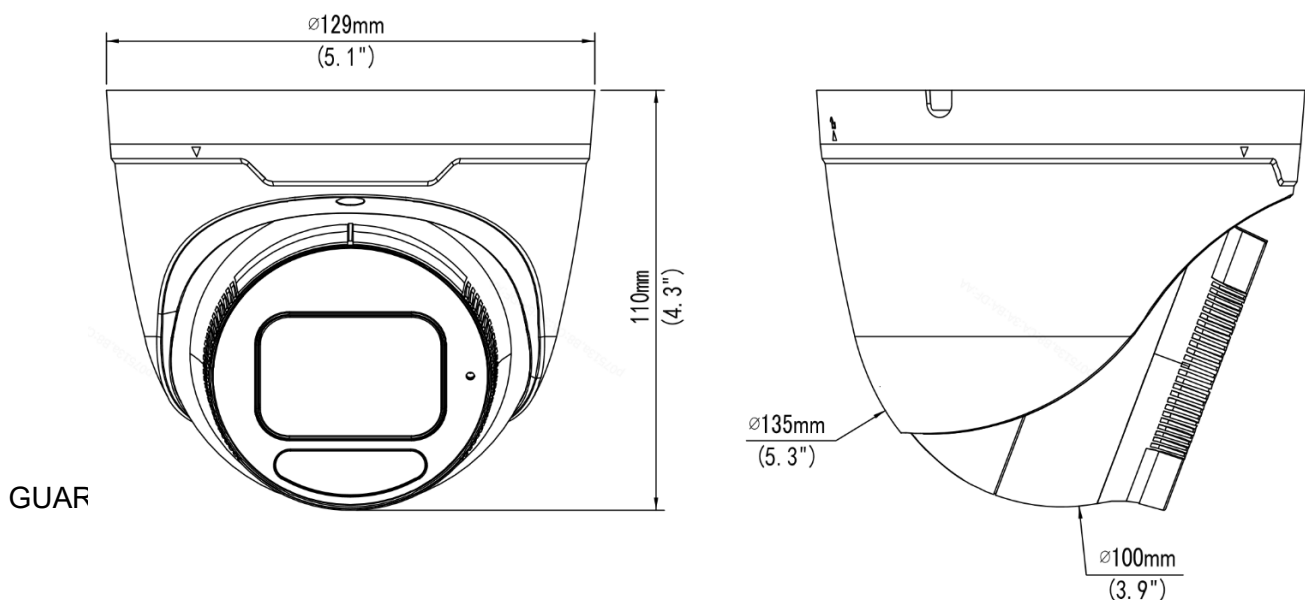
Camera		Description
Max Resolution	8 MP	
Sensor	1/2.8" CMOS LUNA series	
Min. Illumination	Color: 0.0025 lux (F1.6, AGC ON) 0 lux with IR	
Day/Night	IR-cut filter with auto switch (ICR)	
Shutter	Auto/Manual, 1 ~ 1/100000 s	
Adjustment Angle	Pan: 0° ~ 360°, Tilt: 0° ~ 75°, Rotate: 0° ~ 360°	
S/N	>52 dB	
WDR	120 dB	
Lens		Description
Focal Length	2.8 ~ 12 mm	
Iris Type	Fixed	
Iris	F1.6	
Field of View (H)	107.4°~ 29.2°	
Field of View (V)	54.2°~ 16.3°	
Field of View (D)	111.0°~33.1°	
Lens Type	Motorized zoom	
DORI		Description
DORI distance (Lens)	2.8 mm, 12 mm	
DORI distance (Detect)	86.9 m(285.1ft), 372.4 m(1121.8ft)	
DORI distance (Observe)	34.8 m(114.2ft), 149.0 m(488.8ft)	
DORI distance (Recognize)	17.4 m(57.1ft), 74.5 m(244.4ft)	
DORI distance (Identify)	8.7 m(28.5ft), 37.2 m(112.0ft)	
Illuminator		Description
Supplemental light	IR	
Illumination distance (IR)	40 m (131.2 ft)	
IR On/Off Control	Auto/Manual	
Wavelength	850 nm	

Video	Description
Video Compression	Ultra 265, H.265, H.264, MJPEG
H.264 Code Profile	Baseline profile, Main profile, High profile
Frame Rate	Main Stream: 8MP (3840*2160), Max 20fps; 5MP (3072*1728), Max 30fps; 4MP (2560*1440), Max 30fps; 1080P (1920*1080), Max 30fps; Sub Stream: 1080P (1920*1080), Max 30fps; 720P (1280*720), Max 30fps; D1 (720*576), Max 30fps; 640*360, Max 30fps; 2CIF(704*288), Max 30fps; CIF(352*288), Max 30fps; Third Stream: D1 (720*576), Max 30fps; 640*360, Max 30fps; 2CIF(704*288), Max 30fps; CIF(352*288), Max 30fps
Video Bit Rate	128 Kbps ~ 16 Mbps
U-code	Support
OSD	Up to 8 OSDs
Privacy Mask	Up to 4 areas
ROI	Support
Video Stream	Triple Streams
Simultaneous streams	Up to 20 (multi stream)
Image	Description
White Balance	Auto, Outdoor, Fine Tune, Sodium lamp, Locked, Auto2
Digital Noise Reduction	2D/3D DNR
Smart IR	Support
Flip	Normal, Flip vertical, Flip horizontal, 180°, 90° Clockwise, 90° Anti-clockwise
De-warping	Support
HLC	Support
BLC	Support
Defog	Digital defog
Intelligent	Description
Smart Intrusion Prevention	Support false alarm filtering: Cross line detection, Intrusion detection, Enter area detection, Leave area detection
Statistical Analysis	N/A
People Counting	Support people flow counting and crowd density monitoring
Events	Description
Basic Detection	Motion detection, Ultra motion detection, Tampering alarm, Audio detection

General Function	Watermark, IP address filtering, Access policy, ARP protection, RTSP authentication, User authentication, HTTP authentication
Audio	Description
Audio Compression	G.711U, G.711A
Audio Bitrate	64 Kbps
Two-way Audio	N/A
Suppression	Support
Sampling Rate	8 kHz
Storage	Description
Edge Storage	MicroSD, up to 512 GB
Network Storage	ANR, NAS (NFS)
Network	Description
Protocols	IPv4, IPv6, IGMP, ICMP, ARP, TCP, UDP, DHCP, PPPoE, RTP, RTSP, RTCP, RTMP, DNS, DDNS, NTP, FTP, UPnP, HTTP, HTTPS, SMTP, SSL/TLS, 802.1x, SNMP, SSH
Compatible Integration	ONVIF (Profile S, Profile G, Profile T, Profile M), API, SDK
User/Host	Up to 32 users. 3 user levels: administrator, common user and operator
Security	Password Protection, Strong Password, HTTPS Encryption, Export Operation Logs, Basic and Digest Authentication for RTSP, Digest Authentication for HTTP, TLS 1.2, WSSE and Digest Authentication for ONVIF.
Web & APP & Software	APP: GuardEye / Guardeon Software: VMS Lite 64 ch. / player / IP tool.
Web Browser	Plug-in required live view: IE 10 and above, Chrome 45 and above, Firefox 52 and above, Edge 79 and above, Plug-in free live view: Chrome 57.0 and above, Firefox 58.0 and above, Edge 16 and above
Interface	Description
Audio I/O	N/A
Alarm I/O	N/A
Serial Port	N/A
Built-in Mic	Support
Built-in Speaker	N/A
WIFI	N/A
Network	1 x RJ45 10M/100M Base-TX Ethernet
Video Output	N/A

Certification	Description
EMC	CE-EMC (EN 55032, EN 61000-3-3, EN IEC 61000-3-2, EN 55035) FCC (FCC 47 CFR part15 B)
Safety	CE LVD (EN 62368-1) CB (IEC 62368-1) UL/CUL (UL 62368-1, CAN/CSA C22.2 No. 62368-1)
Environment	CE-RoHS (2011/65/EU;(EU)2015/863); WEEE (2012/19/EU)
Protection	IP67 (IEC 60529) IK10 (IEC 62262)
General	Description
Power	DC 12 V ± 25%, PoE (IEEE 802.3af)
Power Consumption	Max 9.0 W
Power Interface	Ø 5.5 mm coaxial power plug
Dimensions	Φ 129 x 110mm (Ø5.1" x 4.3") (Ø x H)
Weight	0.69 kg (1.52lb)
Material	Metal
Working Environment	-30 °C ~ 60 °C (-22 °F ~ 140 °F), Humidity: ≤95% RH (non-condensing)
Storage Environment	-30 °C ~ 60 °C (-22 °F ~ 140 °F), Humidity: ≤95% RH (non-condensing)
Surge Protection	6 kV
Reset Button	Support
Web Client Language	20 Languages Traditional Chinese, English, Simplified Chinese, Polish, German, Russian, French, Korean, Dutch, Czech, Portuguese (Europe), Portuguese (Brazil), Japanese, Thai, Turkish, Spanish (Latin America), Spanish (Europe), Hungarian, Italian, Vietnamese

Dimensions



Accessories

GDET-125HB

HVID



Varenr. 22909

GDET-125(135)HV Vægbeslag

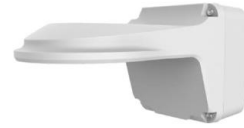
HVID



Varenr. 22917

GDET-125(135)HVB Vægbeslag med bagdåse

HVID

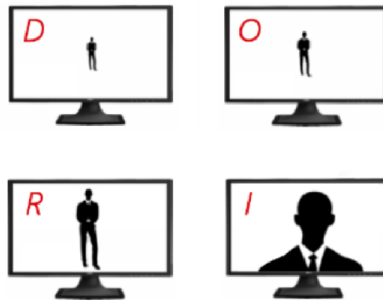


Varenr. 22916

What is DORI & how to use it in CCTV

In the world of CCTV, **DORI** stands for **D**etection, **O**bservation, **R**ecognition and **I**dentification.

- **Detection** - The detection level allows for reliable and easy determination of whether a person or vehicle is present.
- **Observation** - The observation level gives characteristic details of an individual, such as distinctive clothing, while allowing a view of activity surrounding an incident.
- **Recognition** - The recognition level determines with a high degree of certainty whether an individual shown is the same as someone that has been seen before.
- **Identify** - The identification level enables the identity of an individual beyond a reasonable doubt.



*Product specifications and availability are subject to change without notice.

*Despite our best efforts, technical or typographical errors may exist in this document. Guardeon cannot be held responsible for any such errors and reserves the right to change the contents of this document without prior notice.

