

4MP AI Eyeball IR zoom camera PRO series

GLE-P40135VF 4.0MP AI Eyeball 2.7-13.5mm motor zoom

Varenr. 22478



Features

- ✓ High quality image with 4 MP, 1/1.3"CMOS **LUNA sensor**
- ✓ **4MP** (2688*1520) @ 30/25fps; 4MP (2560*1440) @ 30/25fps; 3MP (2304*1296) @ 30/25fps; 2MP (1920*1080) @ 30/25fps
- ✓ Motor Zoom lens 2.7 mm – 13.5 mm
- ✓ Ultra 265, H.265, H.264, MJPEG
- ✓ **NDAA** compliant
- ✓ Intelligent perimeter protection, including cross line, intrusion, enter area, leave area detection
- ✓ Based on target classification, smart intrusion prevention significantly reduces false alarm caused by leaves, birds and lights etc., accurately focus on human and motor vehicle and non-motor vehicle
- ✓ Intelligent AI People Flow Counting and Crowd Density Monitor
- ✓ **LUNA** CMOS technology ensures ultra-high image quality in low illumination environment
- ✓ 120 dB true WDR technology enables clear image in strong light scene
- ✓ Support 9:16 corridor mode
- ✓ 20 simultaneous streams (multi stream)
- ✓ Built-in Mic
- ✓ Smart IR, up to 40 m (131ft) IR distance
- ✓ Supports 256 Gb MicroSD card
- ✓ IK10 vandal resistant and IP67 protection



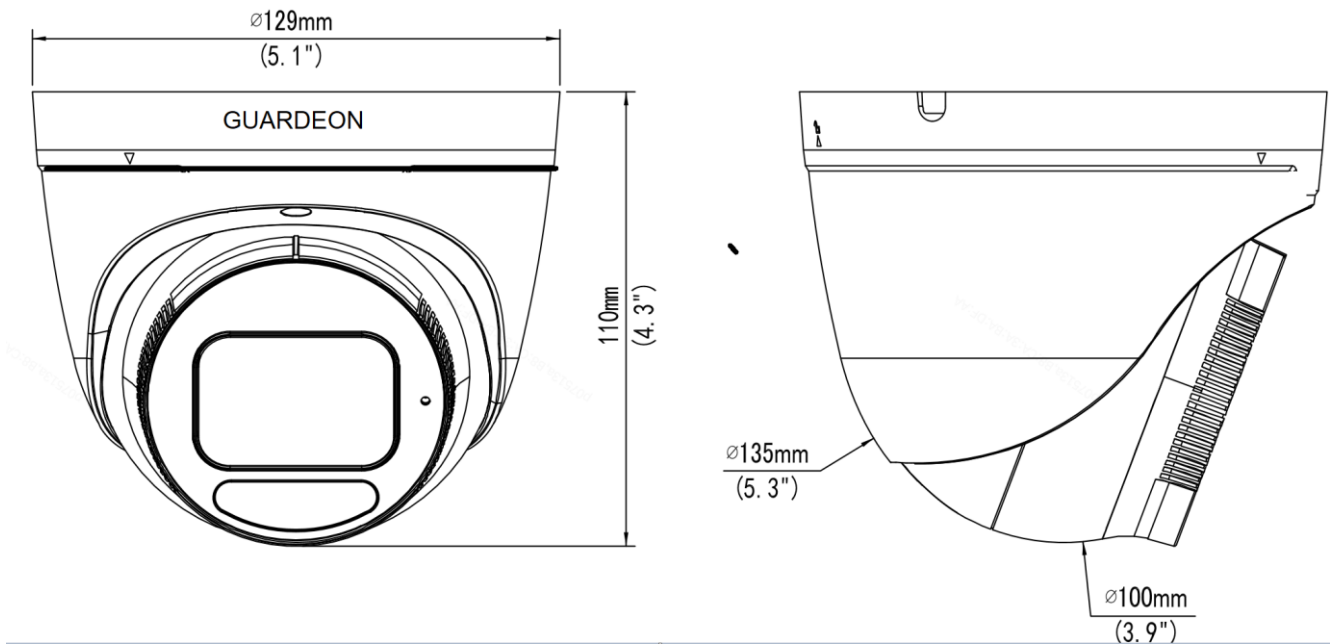
Specifications

Camera	Description
Resolution	4.0 MP LUNA aerie
Sensor	1/3.0" CMOS
Min. Illumination	Colour:0.002 lux (F1.2, AGC ON) 0 lux with IR
Day/Night	IR-cut filter with auto switch (ICR)
Shutter	Auto/Manual, 1 ~ 1/100000 s
Adjustment angle	Pan: 0° ~ 360° , Tilt:0° ~ 75° , Rotate: 0° ~ 360°
S/N	>52 dB
WDR	120 dB
Lens	Description
Lens type	2.7 mm ~ 13.5 mm, AF automatic focusing and motorized zoom lens
Iris Type	Fixed
Iris	F1.2
Field of View (H)	98.26° ~ 31.35°
Field of View (V)	54.76° ~ 18.55°
Field of View (D)	127.74° ~36.99°
Zoom	Motorized
DORI	Description
DORI Distance (Lens)	2.7 mm, 13.5 mm
DORI Distance (Detect)	60.8 m(199ft), 303.8 m(996.7ft)
DORI Distance (Observe)	24.3 m(79.7ft), 121.5 m(398.6ft)
DORI Distance (Recognize)	12.2 m(40ft), 60.8 m(199.5ft)
DORI Distance (Identify)	6.1 m(20ft), 30.4 m(99.7ft)
Illuminator	Description
Illumination distance (IR)	40 m
Wavelength	850 nm
Light On/Off Control	Auto/Manual
Video	Description
Video Compression	Ultra 265; H.265; H.264; MJPEG
H.264 code profile	Baseline profile, Main profile, High profile
Frame Rate	Main Stream: 4MP (2688*1520), Max 30fps;4MP (2560*1440), Max 30fps; 3MP (2304*1296), Max 30fps; 1080P (1920*1080), Max 30fps; Sub Stream: 720P (1280*720), Max 30fps; D1 (720*576), Max 30fps; 640*360,Max 30fps; Third Stream: D1 (720*576), Max 30fps; 640*360,Max 30fps; 2CIF(704*288), Max 30fps; CIF(352*288), Max 30fps
Video Bit Rate	128 Kbps~16 Mbps
U-code	Support

OSD	Up to 8 OSDs
Privacy Mask	Up to 4 areas
ROI	Up to 8 areas
Video stream	Triple streams
Simultaneous streams	Up to 20 (multi stream)
Image	Description
White Balance	Auto; Outdoor; Fine Tune; Sodium lamp; Locked; Auto2
Digital noise reduction	2D/3D DNR
Smart IR	Support
Flip	Normal; Flip vertical; Flip horizontal; 180° ; 90° Clockwise; 90° Anti-clockwise
De-warping	N/A
HLC	Support
BLC	Support
Defog	Digital Defog
Intelligent	Description
Smart intrusion prevention	Support false alarm filtering: Cross line detection, Intrusion detection, Enter area detection, Leave area detection
Recognition	
Statistical Analysis	People counting; support people flow counting and crowd density monitoring
Events	Description
Basic Detection	Motion detection; Ultra motion detection; Tampering alarm; Audio detection
General Function	Watermark; IP address filtering; Access policy; ARP protection; RTSP authentication; User authentication; HTTP authentication
Audio	Description
Audio Compression	G.711U; G.711A
Audio Bitrate	64 Kbps
Two-way Audio	N/A
Suppression	Support
Sampling Rate	8 kHz
Storage	Description
Edge Storage	MicroSD, up to 256 GB
Network Storage	ANR; NAS (NFS)
Network	Description
Protocols	IPv4; IPv6; IGMP; ICMP; ARP; TCP; UDP; DHCP; RTP; RTSP; RTCP; RTMP; DNS; DDNS; NTP; FTP; UPnP; HTTP; HTTPS; SMTP; SSL/TLS; 802.1x; SNMP; PPPoE
Compatible Integration	ONVIF (Profile S, Profile G, Profile T); API; SDK
User/Host	Up to 32 users. 3 user levels: administrator, common user and operator
Security	Password protection; Strong password; HTTPS encryption; Export operation logs; Basic and digest authentication for RTSP; Digest authentication for HTTP; TLS 1.2; WSSE and digest authentication for ONVIF

Web. & APP & Software	APP: GuardEye / Guardeon Software: VMS Lite 64 ch. / player / IP tool.
Web Browser	Plug-in required live view: IE 10 and above, Chrome 45 and above, Firefox 52 and above, Edge 79 and above; Plug-in free live view: Chrome 57.0 and above, Firefox 58.0 and above, Edge 16 and above
Interface	Description
Audio I/O	N/A
Alarm I/O	N/A
Serial Port	N/A
Built-in Mic	Support
Built-in Speaker	N/A
WIFI	N/A
Network	1 * RJ45 10M/100M Base-TX Ethernet
Video Output	N/A
Certification	Description
EMC	CE-EMC (EN 55032, EN 61000-3-3, EN IEC 61000-3-2, EN 55035) FCC (FCC 47 CFR part15 B)
Safety	CE LVD (EN 62368-1) CB (IEC 62368-1) UL/CUL (UL 62368-1, CAN/CSA C22.2 No. 62368-1)
Environment	CE-RoHS (2011/65/EU;(EU)2015/863); WEEE (2012/19/EU)
Protection	IP67 (IEC 60529) IK10 (IEC 62262)
General	Description
Power	DC 12 V ± 25%, PoE (IEEE 802.3af) Power consumption: Max 7.0W
Power Interface	Ø 5.5 mm coaxial power plug
Dimensions	Φ 129 x 110 mm (Ø5.1" x 4.3")
Weight	0.69 kg (1.52lb)
Material	Metal
Working Environment	-30° C ~ 60° C (-22° F ~ 140° F), Humidity: ≤95% RH (non-condensing)
Storage Environment	-30° C ~ 60° C (-22° F ~ 140° F), Humidity: ≤95% RH (non-condensing)
Surge protection	6 kV
Reset button	Support
Web Client Language	20 Languages Traditional Chinese, English, Simplified Chinese, Polish, German, Russian, French, Korean, Dutch, Czech, Portuguese (Europe), Portuguese (Brazil), Japanese, Thai, Turkish, Spanish (Latin America), Spanish (Europe), Hungarian, Italian, Vietnamese

Dimensions



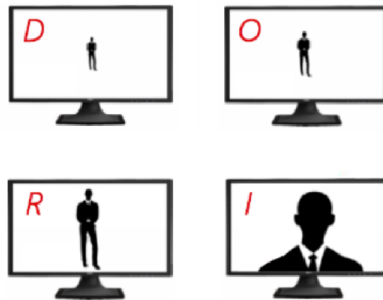
Accessories

GDET-108HB Bagdåse	GDET-126HV Vægbeslag	GDET-126HVB Vægbeslag med bagdåse
HVID	HVID	HVID
		
Varenr. 22905	Varenr. 22914	Varenr. 22915

What is DORI & how to use it in CCTV

In the world of CCTV, **DORI** stands for **D**etection, **O**bservation, **R**ecognition and **I**dentification.

- **Detection** - The detection level allows for reliable and easy determination of whether a person or vehicle is present.
- **Observation** - The observation level gives characteristic details of an individual, such as distinctive clothing, while allowing a view of activity surrounding an incident.
- **Recognition** - The recognition level determines with a high degree of certainty whether an individual shown is the same as someone that has been seen before.
- **Identify** - The identification level enables the identity of an individual beyond a reasonable doubt.



*Product specifications and availability are subject to change without notice.

*Despite our best efforts, technical or typographical errors may exist in this document. Guardeon cannot be held responsible for any such errors and reserves the right to change the contents of this document without prior notice.

