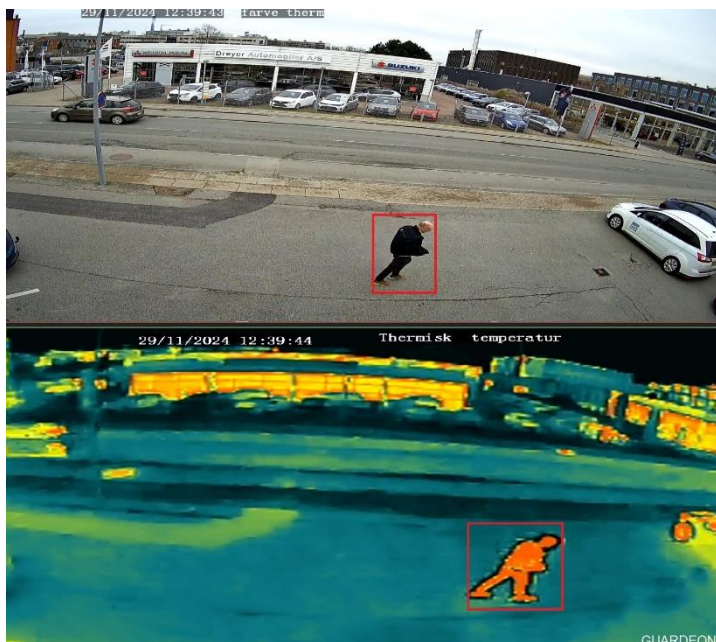


Thermal & Optical Bi-spectrum Eyeball Camera

GLDTE-A4026 4MP/960P dual camera (Optisk 2.6mm/Therm 2.1mm) (vare nr. 22650)

GLDTE-A4040 4MP/960P dual camera (Optisk 4mm/Therm 3mm) (vare nr. 22652)

GLDTE-A4060 4MP/960P dual camera (Optisk 6mm/Therm 7mm) (vare nr. 22654)



Dual optik eyeball AI kamera med 4.0MP optisk samt termisk optik i ET kamera.

Video Alarm + Thermisk Alarm = Verificeret **ALARM**



Thermisk dual kamera overvågning bruges typisk til perimenter sikring som evt. er kombineret med en tyverialarm, overvågning på byggepladser, lufthavne, havnemoler, private haver samt virksomheds yderområder.

Guardeon Security Systems

Features

- ✓ **Thermal & Optical dual** spectrum image, dual video with single IP address, adaptable to more various scenes
- ✓ CMOS 1/2.8" target surface, high sensitivity sensor, satisfy the need of **LUNA** serie.
- ✓ **NDAA** compliant
- ✓ Thermal support fire detection, smoking detection and fire shield area
- ✓ Thermal module supports temperature detection and cold & hot spot tracking which highlights the abnormal temperature, and link to alarm
- ✓ Thermal & Optical dual smart AI edge intrusion prevention: cross line, enter area, leave area, intrusion each camera lens
- ✓ Optical module supports smog recognition, which can help with fire alarm reconfirm
- ✓ Support picture in picture mode, real time contrast live, more convenient and clearer
- ✓ Support audio and light alarm, with red and blue warning lights built in
- ✓ Ultra 265, H.265, H.264, MJPEG, ONVIF: S, T, G
- ✓ Max **4.0MP** 2688x1520@30fps in the optical module and max. **960P**@30fps in the thermal
- ✓ Alarm: 2 in and 2 out, Audio: 1 in and 1 out, MicroSD, up to 512 GB
- ✓ 35 simultaneous streams (multi stream)
- ✓ IK10 vandal proof
- ✓ IP67 Weatherproof



Specifications

Channel	Optical			Thermal		
Camera						
Sensor	1/2.8" CMOS LUNA			Vanadium oxide uncooled focal plane arrays		
Min. Illumination	Color: 0.003 lux (F1.6, AGC ON) B/W: 0.002 lux (F1.6, AGC ON) 0 lux with IR light			N/A		
Day/Night	IR-cut filter with auto switch (ICR)			N/A		
Original Resolution-Thermal	N/A			256 x 192		
Pixel Size	N/A			12 um		
NETD	N/A			< 50 mk @ F1.0 @ 25 °C		
Shutter	Auto/Manual, 1 to 1/100000 s					
WDR	120 dB					
S/N	>56 dB					
Optical Lens			Thermal lens			
Focal Length	2.6mm	4.0mm	6.0mm	2.1 mm	3.0mm	7.0mm
Iris	F1.6	F1.6	F1.6	F1.0	F1.0	F1.0
Field of View (H)	108.5°	72.9°	49.1°	88.8°	58.0°	25.2°
Field of View (V)	70.7°	44.4°	26.9°	63.7°	42.5°	19.3°
Field of View (D)	133.5°	89.8°	60.4°	109.2°	72°	31°
DORI						
DORI Distance (Detect)	58.5 meter	90.0 meter	135 meter	N/A		
DORI Distance (Observe)	23.4 meter	36.0 meter	54 meter	N/A		
DORI Distance (Recognize)	11.7 meter	18.0 meter	27 meter	N/A		
DORI Distance (Identify)	5.9 meter	9.0 meter	13.5 meter	N/A		

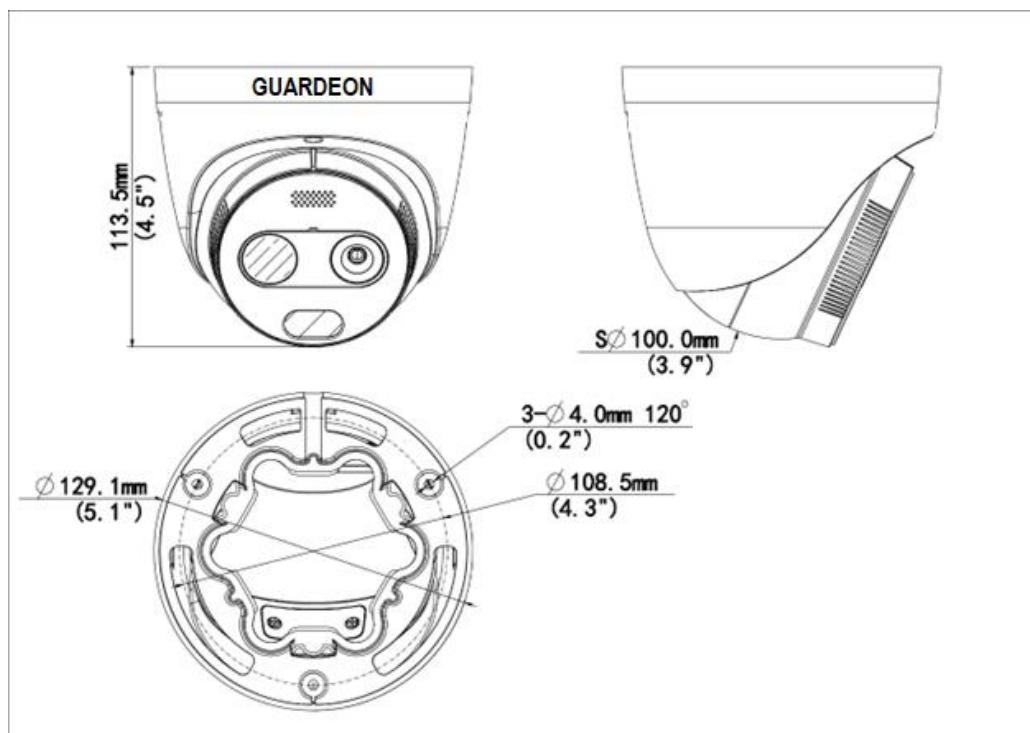
Illuminator		
Wavelength IR	750 nm	N/A
Illumination Distance (IR)	30 meter	N/A
Light On/Off Control	Auto/Manual/smart	N/A
Video		
Frame Rate	4.0 MP (2688 x 1520), Max 30fps	960P (1280 x 960), Max 30fps
Video Compression	Ultra 265, H.265, H.264, MJPEG	
Video Bit Rate	128 Kbps to 16 Mbps	
U-code	Support	
ROI	Support	
Video Stream	Triple Streams	
Simultaneous streams	35 (multi stream)	
OSD	Up to 8 OSDs	
Privacy Mask	Up to 8 areas (8 blacks/ 8 mosaics)	N/A
Image		
White Balance	Auto, Outdoor, Fine Tune, Sodium Lamp, Locked, Auto2	N/A
Digital Noise Reduction	2D/3D DNR	
Flip	Normal, Flip Vertical, Flip Horizontal, 180°, 90° Clockwise, 90° Anti-clockwise	
HLC	Support	N/A
BLC	Support	N/A
Defog	Digital Defog	N/A
Palette-Thermal	N/A	white hot, lava, iron oxide red, hot iron, medical, arctic, rainbow 1, rainbow 2, rainbow 3, depict hot, ice hot, black hot, mazarine, fusion, red hot, green hot, color 1, color 2, rain, puce
Intelligent AI edge		
AI Smart Intrusion prevention	Cross line detection, intrusion detection (support false alarm filtering and the classification of human, non-motor vehicle and vehicle)	
Smoke and Fire Detection	Yes	N/A

Temperature Measurement Accuracy		±8 °C (±14.4 °F) or ±8% (whichever is greater)
Temperature Range		Selectable between -20 °C to 150 °C (-4 °F to 302 °F) and 100 °C to 550 °C (212 °F to 1022 °F)
Temperature Detection-Thermal	N/A	Thermal channel supports rule-based temperature measurements. Supports real-time display of the highest, lowest, and average temperatures in the rule defined area on the screen
Smoking Detection-Thermal	N/A	Thermal channel supports the detection of smoking behavior in the environment
Events		
Fire Detection	N/A	Support
Basic Detection	Motion Detection, Tampering Alarm, Audio Detection	N/A
General Function	Watermark, IP Address Filtering, Access Policy, ARP Protection, RTSP Authentication, User Authentication, HTTP Authentication, Alarm Input, Alarm Output	
Audio		
Audio Compression	G.711U, G.711A	
Audio Bitrate	128 Kbps	
Two-way Audio	Support	
Suppression	Support	
Sampling Rate	16KHZ	
Storage		
Edge Storage	MicroSD, up to 512 GB	
Network Storage	ANR	
Network		
Protocols	IGMP, RTP, SMTP, IPv4, IPv6, ICMP, ARP, TCP, UDP, DHCP, PPPoE, RTSP, RTCP, RTMP, DNS, DDNS, NTP, FTP, UPnP, HTTP, HTTPS, 802.1x, SNMP, QoS, SSL/TLS, SSH	
Compatible Integration	ONVIF (Profile S, Profile G, Profile T), API, SDK	
User/Host	Up to 32 users. 3 user levels: administrator, common user and operator	
Web. Client & App & software	APP: GuardEye Software: VMS lite, IP tool & Player	
Web Browser	Plug-in required live view: IE 10+, Chrome 45+, Firefox 52+, Edge 79+	

Interface		
Built-in Mic	Support	
Built-in Speaker	Support	
Audio I/O	1 input: impedance 1 k Ω , amplitude 2.5 V [p-p], 1 output: impedance 600 Ω , amplitude 2 V [p-p]	
Alarm I/O	2 input / 2 OUT relay (relay optical + relay thermal)	
Serial Port	1 channel RS485 interface	
Network	1 \times RJ45 10 M/100 M Base-TX Ethernet	
Video Output	N/A	1 BNC (For debugging)
Certification		
EMC	CE-EMC (EN 55032: 2015+A1:2020, EN 61000-3-3: 2013+A1: 2019, EN IEC 61000-3-2: 2019+A1: 2021, EN 50130-4:2011+A1:2014) FCC (FCC CFR 47 part15 B, ANSI C63.4-2014)	
Safety	CE LVD (EN IEC 62368-1:2020+A11:2020) UL (UL 62368-1, 2nd Ed., Issue Date: 2014-12-01)	
Environment	CE-RoHS (2011/65/EU;(EU)2015/863); WEEE (2012/19/EU); Reach (Regulation (EC) No 1907/2006)	
Protection	IP67 (IEC 60529:1989+AMD1:1999+AMD2:2013)	
General		
Power	DC12V (\pm 25%), PoE (IEEE802.3af)	
Power Consumption	Max 12 watt	
Power Interface	\varnothing 5.5 mm coaxial power plug	
Dimensions	Φ 129 x 114 mm (Φ 5.08" x 4.49") (Φ x H)	
Weight	0.72kg (1.6lb)	
Working Environment	-40 $^{\circ}$ C to 70 $^{\circ}$ C (-40 $^{\circ}$ F to 158 $^{\circ}$ F), Humidity: \leq 95% RH (non-condensing)	
Storage Environment	-40 $^{\circ}$ C to 70 $^{\circ}$ C (-40 $^{\circ}$ F to 158 $^{\circ}$ F), Humidity: \leq 95% RH (non-condensing)	
Surge Protection	6 KV	
Reset Button	Support	
RTC	Support	
Web Client Language	1 Language English	
Live View		
Maximum Bandwidth	50 Mbps	

OSD Font	Vector
OSD Color	Support
OSD Character Number	40
Other	
Corridor Mode	Support

Dimensions



Accessories

GDET-125HB bagdåse	GDET-125(135)HV vægbeslag	GDET-125(135)-HVB vægbeslag med bagdåse
HVID	HVID	HVID
		
Varenr. 22909	Varenr. 22917	Varenr. 22916

DRI Description for Thermal

The optimal **D**etection, **R**ecognition, and **I**dentification distances are calculated according to Johnson's Criteria.

Detection Range: In order to distinguish an object from the background, the object must be covered by 1.5 or more pixels.

Recognition Range: In order to classify the object (animal, human, vehicle, etc.), the object must be covered by 6 or more pixels.

Identification Range: In order to identify the object and describe it in detail, the object must be covered by 12 or more pixels.

DRI Range Table Thermal

Thermal Lens	Detection Vehicles: 4.0 × 1.4 m	Detection Humans: 1.8 × 0.5 m	Recognition Vehicles: 4.0 × 1.4 m	Recognition Humans: 1.8 × 0.5 m	Identification Vehicles: 1.4 × 4.0 m	Identification Humans: 1.8 × 0.5 m
2.1 mm	207 meter	83 meter	52 meter	21 meter	30 meter	12 meter
3.0 mm	296 meter	119 meter	74 meter	30 meter	49 meter	17 meter
7.0 mm	690 meter	277 meter	173 meter	69 meter	99 meter	40 meter

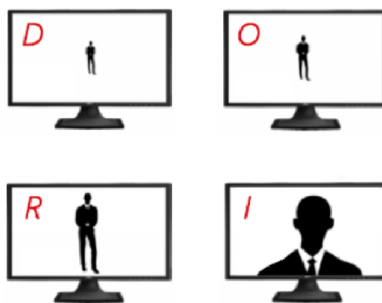
Smart Function Table (Thermal) Smart AI

Thermal Lens	SIP Detection Vehicles: 4.0 × 1.4 m	SIP Detection Humans: 1.8 × 0.5 m	Fire Detection target: 0.1x 0.1 m	Smoking target: cigarette butt)	Temperature target: 0.1m x 0.1m
2.1 mm	42 meter	21 meter	9 meter	1 meter	3.5 meter
3.0 mm	60 meter	30 meter	13 meter	2 meter	8 meter
7.0 mm	140 meter	70 meter	29 meter	5 meter	20 meter

What is DORI & how to use it in CCTV

In the world of CCTV, **DORI** stands for **D**etection, **O**bservation, **R**ecognition and **I**dentification.

- **Detection** - The detection level allows for reliable and easy determination of whether a person or vehicle is present.
- **Observation** - The observation level gives characteristic details of an individual, such as distinctive clothing, while allowing a view of activity surrounding an incident.
- **Recognition** - The recognition level determines with a high degree of certainty whether an individual shown is the same as someone that has been seen before.
- **Identify** - The identification level enables the identity of an individual beyond a reasonable doubt.



* Product specifications and availability are subject to change without notice.

* Despite our best efforts, technical or typographical errors may exist in this document. Guardeon Security Systems cannot be held responsible for any such errors and reserves the right to change the contents of this document without prior notice.

