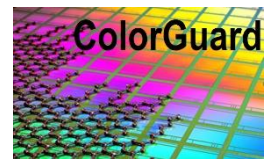


# 8MP (4K) AI Hybrid light Eyeball camera Advanced Colorguard series

**GLCE-A8028x3** 8MP (4K) 2.8 mm lens Eyeball (vare nr. 22460)

**GLCE-A8040x3** 8MP (4K) 4.0 mm lens Eyeball (vare nr. 22466)



## Features

- ✓ High quality image with **8MP, (4K)** 1/2.8" CMOS sensor
- ✓ 8MP (3840\*2160) @ 20fps; 5MP (3072\*1728) @ 30/25fps; 4MP (2560\*1440) @ 30/25fps; 2MP (1920\*1080) @ 30/25fps
- ✓ Ultra 265, H.265, H.264, MJPEG
- ✓ **NDAA** Compliant
- ✓ Advanced Hybrid light (IR and White light)
- ✓ Smart intrusion prevention, support false alarm filtering, include Cross Line, Intrusion, Enter Area, Leave Area detection
- ✓ Supports sound and light alarm linkage. When Smart intrusion prevention is triggered, the camera links sound alarm and light linkage.
- ✓ People Counting, support people flow counting and crowd density monitoring, suitable for different statistical scenarios
- ✓ 20 simultaneous streams (multi stream)
- ✓ 120dB true WDR technology enables clear image in strong light scene
- ✓ Support 9:16 Corridor Mode
- ✓ Built-in Mic and Speaker / smart voice warning
- ✓ Smart IR, up to 30m (98ft) IR distance
- ✓ Supports 256 Gb MicroSD card
- ✓ IP67 protection



## Specifications

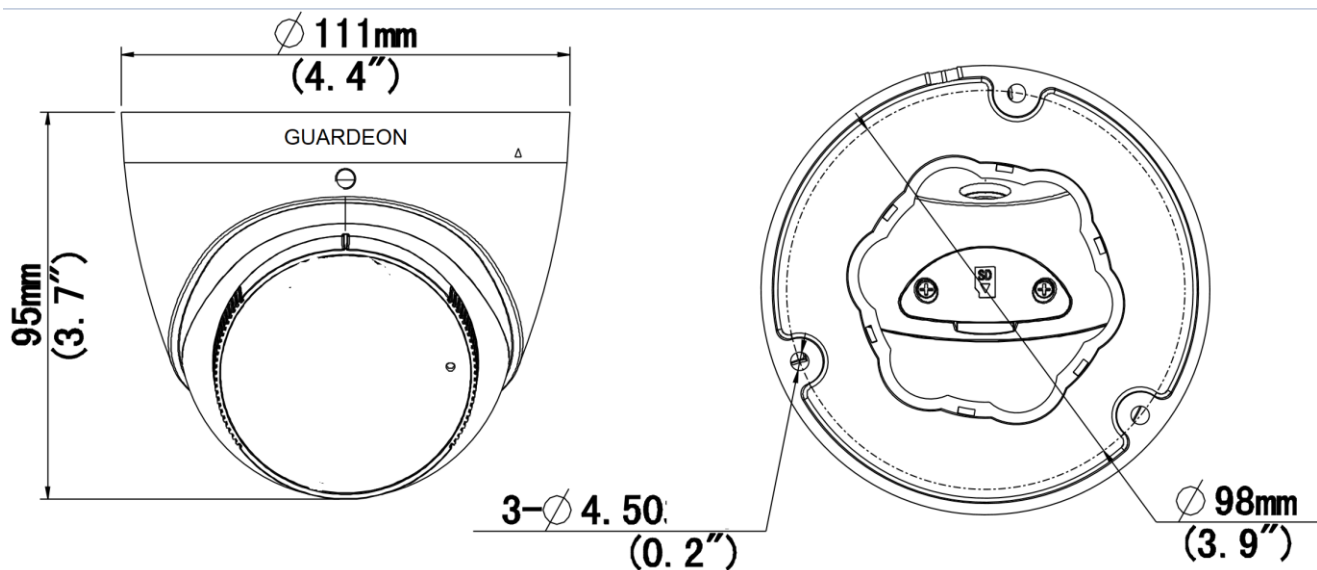
Camera	Description
Sensor	1/2.8" CMOS ColorGuard
Min. Illumination	Color: 0.0025 lux (F1.6, AGC ON) 0 Lux with light
Day/Night	IR-cut filter with auto switch (ICR)
Shutter	Auto/Manual, 1 ~ 1/100000 s
Adjustment Angle	Pan: 0° ~ 360°, Tilt: 0° ~ 80°, Rotate: 0° ~ 360°
S/N	>52 dB
WDR	120 dB
Lens	Description
Focal Length	<b>GLCE-A8028x3</b> = 2.8 mm   <b>GLCE-A8040x3</b> = 4.0 mm
Iris	F1.6
Field of View (H)	101.0° = 2.8 mm   87.5° = 4.0 mm
Field of View (V)	56.3° = 2.8 mm   46.3° = 4.0 mm
Field of View (D)	115.5° = 2.8 mm   92.4° = 4.0 mm
Lens Type	Fixed 4.0 mm or 2.8 mm
DORI	Description
DORI Distance (Lens)	GLCE-A8028x3 = <b>2.8 mm</b>   GLCE-A8028x3 = <b>4.0 mm</b>
DORI Distance (Detect)	86.9m (285.1ft) = <b>2.8 mm</b>   124.1m (407ft) = <b>4.0 mm</b>
DORI Distance (Observe)	34.8m (114.2ft) = <b>2.8 mm</b>   49.7m (163.1ft) = <b>4.0 mm</b>
DORI Distance (Recognize)	17.4m (57.1ft) = <b>2.8 mm</b>   24.8m (81.4ft) = <b>4.0 mm</b>
DORI Distance (Identify)	8.7m (28.5ft) = <b>2.8 mm</b>   12.4m (40.7ft) = <b>4.0 mm</b>
Illuminator	Description
Supplemental Light	Smart Dual Light (IR & White light) "hybrid"
Light Distance (IR)	30 m (98.4 ft)
Light Distance (Warm Light)	30 m (98.4 ft)
Light On/Off Control	Auto/Manual
Wavelength	850 nm
Video	Description
Video Compression	Ultra 265, H.265, H.264, MJPEG
H.264 Code Profile	Baseline profile, Main profile, High profile
Frame Rate	Main Stream: 8MP (3840x2160), max. 20fps; 5MP (3072x1728), max. 30fps; 4MP

	(2560x1440), max. 30fps; 1080P (1920x1080), max. 30fps; Sub Stream: 1080P (1920x1080), max. 30fps;720P (1280x720), max. 30fps; D1 (720x576), max. 30fps; 640x360,max. 30fps; 2CIF(704x288), max. 30fps; CIF(352x288), max. 30fps; Third Stream: D1 (720x576), max. 30fps; 640x360,max. 30fps; 2CIF(704x288), max. 30fps; CIF(352x288), max. 30fps
Video Bit Rate	128 Kbps ~ 16 Mbps
U-code	Support
OSD	Up to 8 OSDs
Privacy Mask	Up to 4 areas
ROI	Support
Video Stream	Triple Streams
Simultaneous streams	Up to 20 (multi stream)
Image	
Image	Description
White Balance	Auto, Outdoor, Fine Tune, Sodium Lamp, Locked, Auto2
Digital Noise Reduction	2D/3D DNR
Smart IR	Support
Flip	Normal, Flip vertical, Flip horizontal, 180°, 90° Clockwise, 90° Anti-clockwise
De-warping	Support
HLC	Support
BLC	Support
Defog	Digital Defog
Intelligent	
Intelligent	Description
Smart Intrusion Prevention	Cross line detection, Intrusion detection, Enter area detection, Leave area detection (support false alarm filtering and the classification of human, non-motor vehicle and vehicle)
Statistical Analysis	N/A
People Counting	Support people flow counting and crowd density monitoring
Events	
Events	Description
Basic Detection	Motion detection, Ultra motion detection, Tampering alarm, Audio detection
General Function	Watermark, IP address filtering, Access policy, ARP protection, RTSP authentication, User authentication, HTTP authentication
Audio	
Audio	Description
Audio Compression	G.711U, G.711A
Audio Bitrate	64 Kbps
Two-way Audio / talk	Support
Suppression	Support

Sampling Rate	8 kHz
Storage	Description
Edge Storage	MicroSD, up to 512 GB
Network Storage	ANR, NAS (NFS)
Network	Description
Protocols	IPv4, IPv6, IGMP, ICMP, ARP, TCP, UDP, DHCP, RTP, RTSP, RTCP, RTMP, DNS, DDNS, NTP, FTP, UPnP, HTTP, HTTPS, SMTP, SSL/TLS, 802.1x, SNMP, PPPoE
Compatible Integration	<b>ONVIF</b> (Profile S, Profile G, Profile T, Profile M), API, SDK
User/Host	Up to 32 users. 3 user levels: administrator, common user and operator
Security	Password protection, Strong password, HTTPS encryption, Export operation logs, Basic and digest authentication for RTSP, Digest authentication for HTTP, TLS 1.2, WSSE and digest authentication for ONVIF
Web & APP & Software	<b>APP:</b> GuardEye / Guardeon <b>Software:</b> VMS Lite 64 ch. / player / IP tool
Web Browser	Plug-in required live view: IE 10 and above, Chrome 45 and above, Firefox 52 and above, Edge 79 and above, Plug-in free live view: Chrome 57.0 and above, Firefox 58.0 and above, Edge 16 and above
Interface	Description
Audio I/O	N/A
Alarm I/O	N/A
Serial Port	N/A
Built-in Mic	Support
Built-in Speaker	Support
WIFI	N/A
Network	1 x RJ45 10M/100M Base-TX Ethernet
Video Output	N/A
Certification	Description
EMC	CE-EMC (EN 55032, EN 61000-3-3, EN IEC 61000-3-2, EN 55035) FCC (FCC 47 CFR part15 B)
Safety	CE LVD (EN 62368-1) CB (IEC 62368-1) UL/CUL (UL 62368-1, CAN/CSA C22.2 No. 62368-1)
Environment	CE-RoHS (2011/65/EU;(EU)2015/863); WEEE (2012/19/EU)
Protection	IP67 (IEC 60529)
General	Description
Power	DC 12 V $\pm$ 25%, PoE (IEEE 802.3af)

Power Consumption	Max 8.0 W
Power Interface	Ø 5.5 mm coaxial power plug
Dimensions	Ø111 x 95 mm (Ø4.4" x 3.7" ) (Ø x H)
Weight	0.45 kg (0.992lb)
Material	Metal
Working Environment	-30 °C ~ 60 °C (-22 °F ~ 140 °F), Humidity: ≤95 % RH (non-condensing)
Storage Environment	-30 °C ~ 60 °C (-22 °F ~ 140 °F), Humidity: ≤95 % RH (non-condensing)
Surge Protection	4 kV
Reset Button	N/A
Web Client Language	20 Languages Traditional Chinese, English, Simplified Chinese, Polish, German, Russian, French, Korean, Dutch, Czech, Portuguese (Europe), Portuguese (Brazil), Japanese, Thai, Turkish, Spanish (Latin America), Spanish (Europe), Hungarian, Italian, Vietnamese

## Dimensions



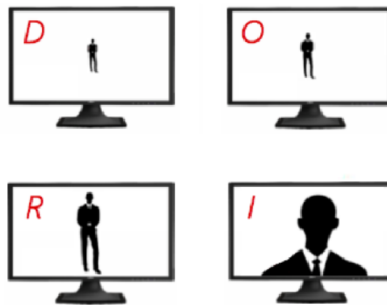
Accessories

GDET-125HB bagdåse	GDET-125(135)HV vægbeslag	GDET-125(135)-HVB vægbeslag med bagdåse
HVID	HVID	HVID
		
Varenr. 22909	Varenr. 22917	Varenr. 22916

# What is DORI & how to use it in CCTV

In the world of CCTV, **DORI** stands for **D**etection, **O**bservation, **R**ecognition and **I**dentification.

- **Detection** - The detection level allows for reliable and easy determination of whether a person or vehicle is present.
- **Observation** - The observation level gives characteristic details of an individual, such as distinctive clothing, while allowing a view of activity surrounding an incident.
- **Recognition** - The recognition level determines with a high degree of certainty whether an individual shown is the same as someone that has been seen before.
- **Identify** - The identification level enables the identity of an individual beyond a reasonable doubt.



\*Product specifications and availability are subject to change without notice.

\*Despite our best efforts, technical or typographical errors may exist in this document. Guardeon cannot be held responsible for any such errors and reserves the right to change the contents of this document without prior notice.

