

4MP AI Eyeball Network Camera ECO series

GE-E4028 4MP 2.8 lens Eyeball (vare nr. 22400)

GE-E4040 4MP 4.0 lens Eyeball (vare nr. 22404)



Features

- ✓ High quality image with 4MP, 1/3"CMOS sensor (ECO series)
- ✓ 4MP(2688*1520) @ 25/20fps; 4MP(2560*1440) @ 25/20fps; 3MP(2304*1296) @30/25fps; 2MP(1920*1080)@30/25fps
- ✓ Ultra 265, H.265, H.264, MJPEG
- ✓ **NDAA** Compliant
- ✓ CMOS technology ensures high image quality in low illumination environment
- ✓ 120 dB true WDR technology enables clear image in strong light scene
- ✓ Support 9:16 Corridor Mode
- ✓ Built-in Mic
- ✓ 2 streams
- ✓ Smart IR, up to 30 m (98ft) IR distance
- ✓ Supports 256 G MicroSD card
- ✓ IP67 protection
- ✓ Support PoE power supply
- ✓ 3-Axis



Specifications

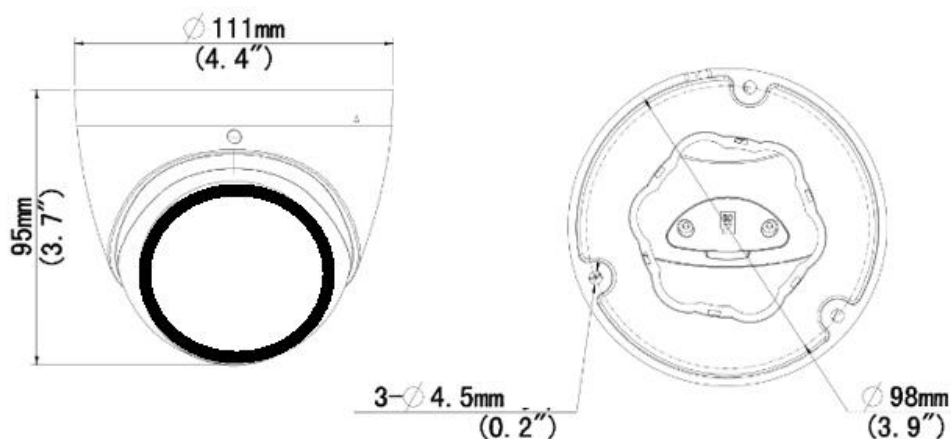
Camera	Description
Max Resolution	4.0 MP
Sensor	1/3.0" CMOS ECO series
Min. Illumination	Color: 0.003 lux (F1.6, AGC ON) 0 Lux with IR
Day/Night	IR-cut filter with auto switch (ICR)
Shutter	Auto/Manual, 1 ~ 1/100000 s
Adjustment Angle	Pan: 0° ~ 360°, Tilt: 0° ~ 80°, Rotate: 0° ~ 360°
S/N	>52 dB
WDR	120 dB
Lens	Description
Focal Length	GE-E4028 2.8 mm GE-E4040 4.0 mm
Iris Type	Fixed
Iris	F1.6
Field of View (H)	GE-E4028: 101.1° GE-E4040: 83.7°
Field of View (V)	GE-E4028: 55.3° GE-E4040: 44.9°
Field of View (D)	GE-E4028: 111.1° GE-E4040: 89.2°
DORI	Description
DORI Distance (Lens)	GE-E4028: 2.8 mm GE-E4040: 4.0 mm
DORI Distance (Detect)	GE-E4028: 63 meter GE-E4040: 90 meter
DORI Distance (Observe)	GE-E4028: 25.2 meter GE-E4040: 36 meter
DORI Distance (Recognize)	GE-E4028: 12.6 meter GE-E4040: 18 meter
DORI Distance (Identify)	GE-E4028: 6.3 meter GE-E4040: 9 meter

Illuminator	Description
Supplemental Light	IR
Illumination Distance (IR)	30 m (98.4 ft)
Wavelength	850 nm
IR On/Off Control	Auto/Manual
Video	Description
Video Compression	Ultra 265, H.265, H.264, MJPEG
H.264 Code Profile	Baseline profile, Main profile, High profile
Frame Rate	Mainstream: 4MP (2688*1520), Max 25fps; 4MP (2560*1440), Max 25fps; 3MP (2304*1296), Max 30fps; 1080P (1920*1080), Max 30fps; Sub Stream: 720P (1280*720), Max 30 fps; D1 (720*576), Max 30fps; 640*360, Max 30fps
Video Bit Rate	128 Kbps ~ 16 Mbps
U-code	Support
OSD	Up to 4 OSDs
Privacy Mask	Up to 4 areas
ROI	Support
Video Stream	Dual Streams
Image	Description
White Balance	Auto, Outdoor, Fine Tune, Sodium lamp, Locked, Auto2
Digital Noise Reduction	2D/3D DNR
Smart IR	Support
Flip	Normal, Flip vertical, Flip horizontal, 180°, 90° Clockwise, 90° Anti-clockwise
De-warping	N/A
HLC	Support
BLC	Support
Defog	Digital Defog
Events	Description
Basic Detection	Motion detection, Ultra motion detection, Tampering alarm, Audio detection, Cross line (based on human body detection), Intrusion (based on human body detection)
General Function	Watermark, IP address filtering, Access policy, ARP protection, RTSP authentication, User authentication, HTTP authentication

Audio	Description
Audio Compression	G.711U, G.711A
Audio Bitrate	64 Kbps
Two-way Audio	N/A
Suppression	Support
Sampling Rate	8 kHz
Storage	Description
Edge Storage	MicroSD, up to 512 GB
Network Storage	ANR, NAS (NFS)
Network	Description
Protocols	IPv4, IPv6, IGMP, ICMP, ARP, TCP, UDP, DHCP, RTP, RTSP, RTCP, RTMP, DNS, DDNS, NTP, FTP, UPnP, HTTP, HTTPS, SMTP, SSL/TLS, 802.1x, SNMP, PPPoE
Compatible Integration	ONVIF (Profile S, Profile G, Profile T), API, SDK
User/Host	Up to 32 users. 3 user levels: administrator, common user and operator
Security	Password Protection, Strong Password, HTTPS Encryption, Export Operation Logs, Basic and Digest Authentication for RTSP, Digest Authentication for HTTP, TLS 1.2, WSSE and Digest Authentication for ONVIF
Web & APP & Software	APP: GuardEye / Guardeon Software: VMS Lite 64 ch. / player / IP tool.
Web Browser	Plug-in required live view: IE 10 and above, Chrome 45 and above, Firefox 52 and above, Edge 79 and above, Plug-in free live view: Chrome 57.0 and above, Firefox 58.0 and above, Edge 16 and above
Interface	Description
Audio I/O	N/A
Alarm I/O	N/A
Serial Port	N/A
Built-in Mic	Support
Built-in Speaker	N/A
WIFI	N/A
Network	1 x RJ45 10M/100M Base-TX Ethernet
Video Output	N/A
Certification	Description
EMC	CE-EMC (EN 55032, EN 61000-3-3, EN IEC 61000-3-2, EN 55035)

	FCC (FCC 47 CFR part15 B)
Safety	CE LVD (EN 62368-1) CB (IEC 62368-1) UL/CUL (UL 62368-1, CAN/CSA C22.2 No. 62368-1)
Environment	CE-RoHS (2011/65/EU;(EU)2015/863); WEEE (2012/19/EU)
Protection	IP67 (IEC 60529)
General	Description
Power	DC 12 V \pm 25%, PoE (IEEE 802.3af)
Power Consumption	Max 4.5 W
Power Interface	\varnothing 5.5 mm coaxial power plug
Dimensions	\varnothing 118 x 95 mm (\varnothing 4.6" x 3.8") (\varnothing x H)
Weight	0.35 kg (0.77lb)
Material	Metal + Plastic
Working Environment	-30 °C ~ 60 °C (-22 °F ~ 140 °F), Humidity: \leq 95% RH (non-condensing)
Storage Environment	-30 °C ~ 60 °C (-22 °F ~ 140 °F), Humidity: \leq 95% RH (non-condensing)
Surge Protection	4 kV
Reset Button	N/A
Web Client Language	13 Languages English, Simplified Chinese, Polish, German, Russian, French, Korean, Dutch, Czech, Portuguese, Spanish, Spanish (Europe), Italian

Dimensions



Accessories

GDET-108HB Bagdåse

Hvid



22905

GDET-126HV Vægbeslag

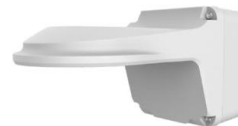
Hvid



22914

GDET-126HVB Vægbeslag med bagdåse

Hvid

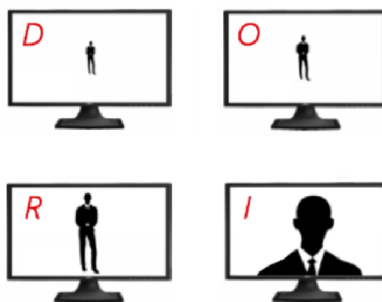


22915

What is DORI & how to use it in CCTV

In the world of CCTV, **DORI** stands for **D**etection, **O**bservation, **R**ecognition and **I**dentification.

- **Detection** - The detection level allows for reliable and easy determination of whether a person or vehicle is present.
- **Observation** - The observation level gives characteristic details of an individual, such as distinctive clothing, while allowing a view of activity surrounding an incident.
- **Recognition** - The recognition level determines with a high degree of certainty whether an individual shown is the same as someone that has been seen before.
- **Identify** - The identification level enables the identity of an individual beyond a reasonable doubt.



*Product specifications and availability are subject to change without notice.

*Despite our best efforts, technical or typographical errors may exist in this document. Guardeon cannot be held responsible for any such errors and reserves the right to change the contents of this document without prior notice.

