

4.0MP AI Eyeball Camera ColorTech ECO serie

GCTE-E4028 4.0MP 2.8mm lens Eyeball camera (varenr. 22422)

GCTE-E4040 4.0MP 4.0mm lens Eyeball camera (varenr. 22420)



Features

- ✓ ColorTech High quality color image 24/7 with 4.0MP, LARGE 1/1.8" CMOS sensor (ECO series)
- ✓ **F1.0 large** aperture lens
- ✓ Color day / night to **0.0003 Lux** (F1.0)
- ✓ Support **ColorTech** technology, deeply optimizing color, detail, and smear effects in extremely low-light scenes
- ✓ 4.0MP(2688*1520) @ 25/20fps; 4MP(2560*1440) @ 25/20fps; 3MP(2304*1296) @ 30/25fps; 2MP(1920*1080) @ 30/25fps
- ✓ **NDA** compliant
- ✓ Ultra 265, H.265, H.264, MJPEG
- ✓ 120dB true WDR technology enables clear image in strong light scene
- ✓ Support 9:16 Corridor Mode
- ✓ Built-in Mic
- ✓ 6 simultaneous streams (multi stream)
- ✓ Smart white Light, up to 30m (98ft) warm light distance
- ✓ Supports 512 GB Micro SD card
- ✓ IP67 protection
- ✓ 3-Axis



Specifications

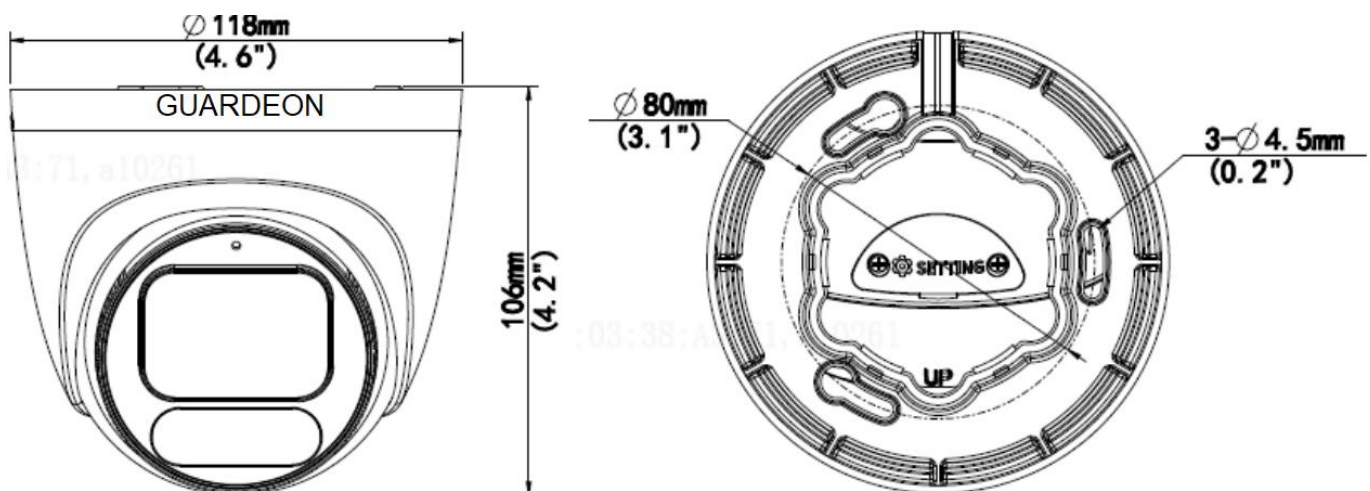
Camera	Description
Max Resolution	4.0 MP
Sensor	Large 1/1.8" CMOS ColorTech
Min. Illumination	Color: 0.0003 lux (F1.0, AGC ON)
Shutter	Auto/Manual, 1 ~ 1/100000 s
Adjustment Angle	Pan: 0° ~ 360°, Tilt: 0° ~ 75°, Rotate: 0° ~ 360°
S/N	>52 dB
WDR	120 dB
Lens	Description
Focal Length	GCTE-E4028: 2.8 mm GCTE-E4040: 4.0 mm
Iris Type	Fixed 2.8 mm or 4.0 mm
Iris	F1.0
Field of View (H)	GCTE-E4028: 110.4° GCTE-E4040: 89.4°
Field of View (V)	GCTE-E4028: 60.5° GCTE-E4040: 48.2°
Field of View (D)	GCTE-E4028: 115.2° GCTE-E4040: 94.7°
DORI	Description
DORI Distance (Lens)	GCTE-E4028: 2.8 mm GCTE-E4040: 4.0 mm
DORI Distance (Detect)	GCTE-E4028: 43.4 meter GCTE-E4040: 62.1 meter
DORI Distance (Observe)	GCTE-E4028: 17.4 meter GCTE-E4040: 24.8 meter
DORI Distance (Recognize)	GCTE-E4028: 8.7 meter GCTE-E4040: 12.4 meter
DORI Distance (Identify)	GCTE-E4028: 4.3 meter GCTE-E4040: 6.2 meter

Illuminator	Description
Supplemental LED Light	Warm white light
Light Distance (Warm Light)	30 m (98.4 ft)
Light On/Off Control	Auto/Manual/Smart
Video	Description
Video Compression	Ultra 265, H.265, H.264, MJPEG
H.264 Code Profile	Baseline profile, Main profile, High profile
Frame Rate	Mainstream: 4MP (2688*1520), Max 25fps; 4MP (2560*1440), Max 25fps; 3MP (2304*1296), Max 30fps; 1080P (1920*1080), Max 30fps; Sub Stream: 720P (1280*720), Max 30 fps; D1 (720*576), Max 30fps; 640*360, Max 30fps
Video Bit Rate	128 Kbps ~ 6144 Kbps
U-code	Support
OSD	Up to 4 OSDs
Privacy Mask	Up to 4 areas
ROI	Support
Video Stream	Dual Streams (main / sub)
Simultaneous streams	Up to 6 (multi stream)
Image	Description
White Balance	Auto, Outdoor, Fine Tune, Sodium Lamp, Locked, Auto2
Digital Noise Reduction	2D/3D DNR
Smart Illumination	Support
Flip	Normal, Flip Vertical, Flip Horizontal, 180°, 90° Clockwise, 90° Anti-clockwise
De-warping	N/A
HLC	Support
BLC	Support
Defog	Digital Defog
Events	Description
Basic Detection	Motion Detection, Ultra Motion Detection, Tampering Alarm, Audio Detection, Cross Line (based on Human Body Detection), Intrusion (based on Human Body Detection)
General Function	Watermark, IP Address Filtering, Access Policy, ARP Protection, RTSP Authentication, User Authentication, HTTP Authentication

Audio	Description
Audio Compression	G.711U, G.711A
Audio Bitrate	64 Kbps
Two-way Audio	N/A
Suppression	Support
Sampling Rate	8 kHz
Storage	Description
Edge Storage	MicroSD, up to 512 GB
Network Storage	ANR, NAS (NFS)
Network	Description
Protocols	IPv4, IPv6, IGMP, ICMP, ARP, TCP, UDP, DHCP, PPPoE, RTP, RTSP, RTCP, DNS, DDNS, NTP, FTP, UPnP, HTTP, HTTPS, SMTP, 802.1x, SNMP, QoS, RTMP, SSL/TLS
Compatible Integration	ONVIF (Profile S, Profile G, Profile T), API, SDK
User/Host	Up to 32 users, 2 user levels: administrator and common user
Security	Password Protection, Strong Password, HTTPS Encryption, Export Operation Logs, Basic and Digest Authentication for RTSP, Digest Authentication for HTTP, TLS 1.2, WSSE and Digest Authentication for ONVIF
Web Client & APP & Software	APP: GuardEye / Guardeon Software: VMS Lite 64 ch. / player / IP tool.
Web Browser	Plug-in required live view: IE 10 and above, Chrome 45 and above, Firefox 52 and above, Edge 79 and above, Plug-in free live view: Chrome 57.0 and above, Firefox 58.0 and above, Edge 16 and above
Interface	Description
Audio I/O	N/A
Alarm I/O	N/A
Serial Port	N/A
Built-in Mic	Support
Built-in Speaker	N/A
WIFI	N/A
Network	1 x RJ45 10M/100M Base-TX Ethernet
Video Output	N/A
Certification	Description
EMC	CE-EMC (EN 55032, EN 61000-3-3, EN IEC 61000-3-2, EN 55035) FCC (FCC 47 CFR part15 B)

Safety	CE LVD (EN 62368-1) UL/CUL (UL 62368-1, CAN/CSA C22.2 No. 62368-1)
Environment	CE-RoHS (2011/65/EU;(EU)2015/863); WEEE (2012/19/EU)
Protection	IP67 (IEC 60529)
General	Description
Power	DC 12 V ± 25%, PoE (IEEE 802.3af)
Power Consumption	Max 2.6 W
Power Interface	Ø 5.5 mm coaxial power plug
Dimensions	Φ 118x106 mm (Ø4.6" x 4.2") (Ø x H)
Weight	0.48 kg(1.06lb)
Material	Metal + Plastic
Working Environment	-30 °C ~ 60 °C (-22 °F ~ 140 °F), Humidity: ≤95% RH (non-condensing)
Storage Environment	-30 °C ~ 60 °C (-22 °F ~ 140 °F), Humidity: ≤95% RH (non-condensing)
Surge Protection	4 kV
Reset Button	Support
Web Client Language	13 Languages English, Simplified Chinese, Polish, German, Russian, French, Korean, Dutch, Czech, Portuguese, Spanish, Spanish (Europe), Italian

Dimensions



Accessories

GDET-118HB Bagdåse

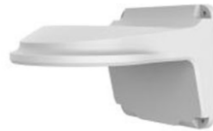
HVID



Varenr.: 22913

GDET-126HV Vægbeslag

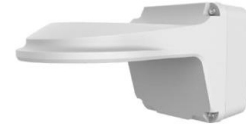
HVID



Varenr.: 22914

GDET-126HVB Vægbeslag med bagdåse

HVID

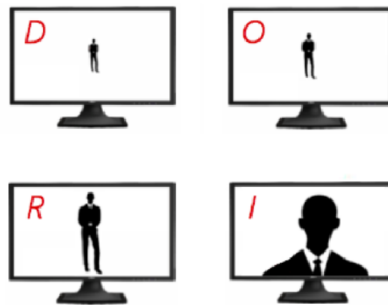


Varenr.: 22915

What is DORI & how to use it in CCTV

In the world of CCTV, **DORI** stands for **D**etection, **O**bservation, **R**ecognition and **I**dentification.

- **Detection** - The detection level allows for reliable and easy determination of whether a person or vehicle is present.
- **Observation** - The observation level gives characteristic details of an individual, such as distinctive clothing, while allowing a view of activity surrounding an incident.
- **Recognition** - The recognition level determines with a high degree of certainty whether an individual shown is the same as someone that has been seen before.
- **Identify** - The identification level enables the identity of an individual beyond a reasonable doubt.



*Product specifications and availability are subject to change without notice.

*Despite our best efforts, technical or typographical errors may exist in this document. Guardeon cannot be held responsible for any such errors and reserves the right to change the contents of this document without prior notice.

